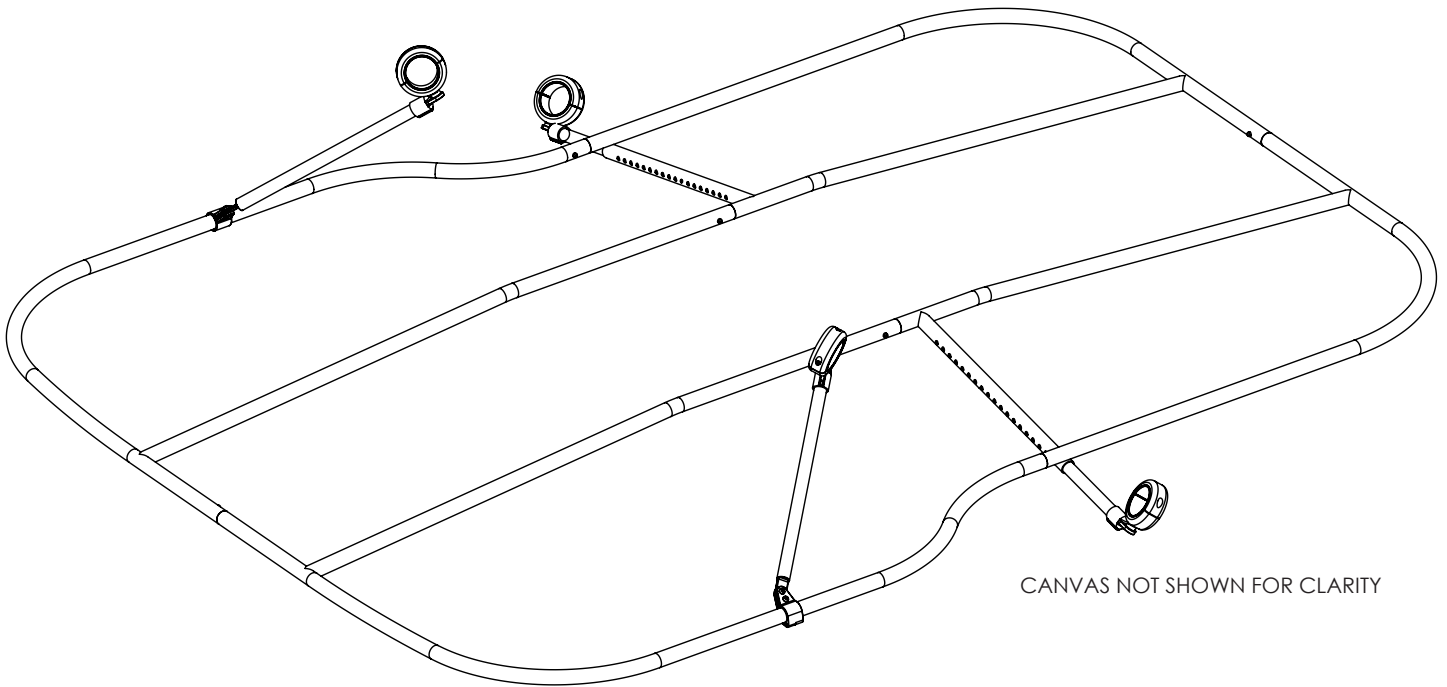




# FREERIDE BIMINI

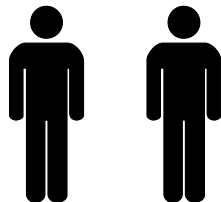
## INSTALLATION GUIDE



CANVAS NOT SHOWN FOR CLARITY

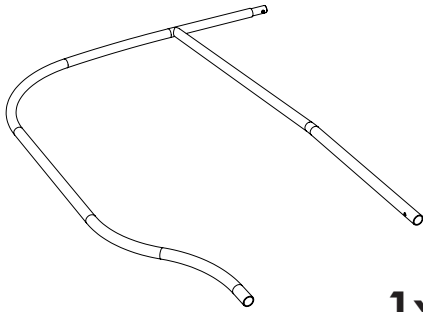
---

## INSTALLATION SUPPORT

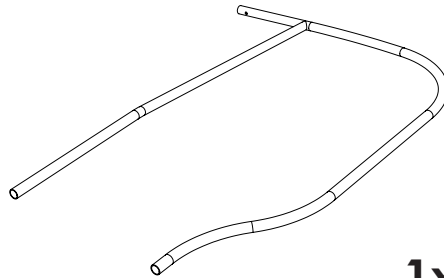




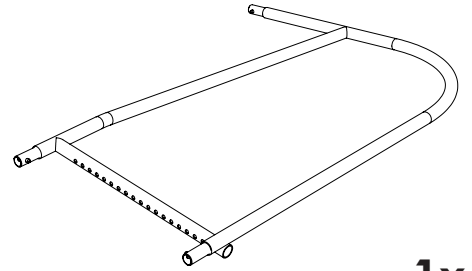
## PARTS LIST



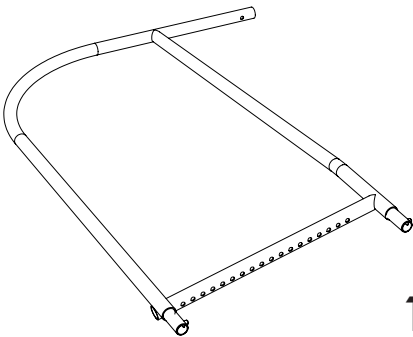
1x



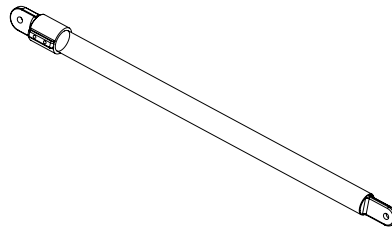
1x



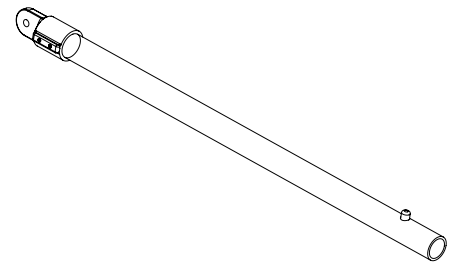
1x



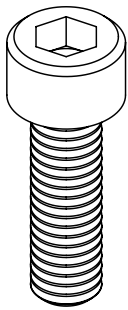
1x



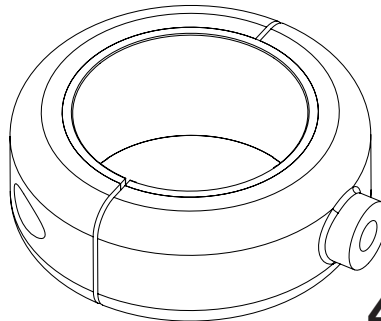
2x



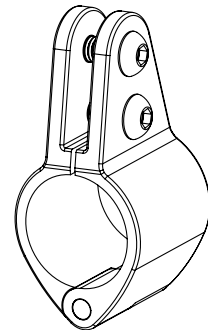
2x



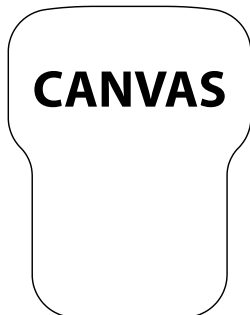
4x



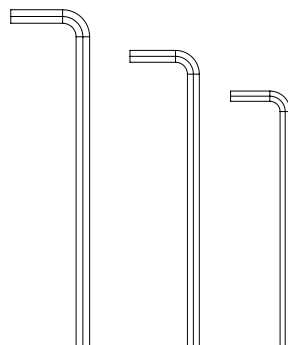
4x



2x



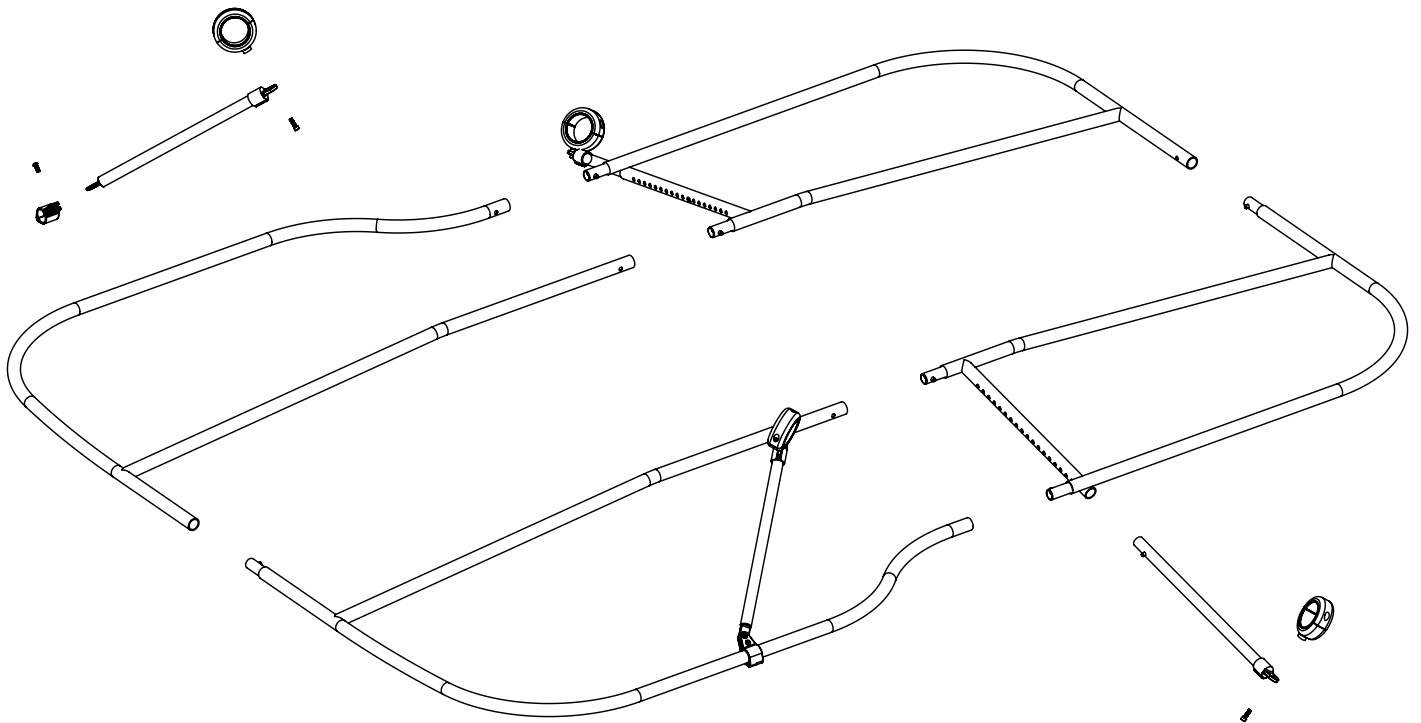
1x



1x



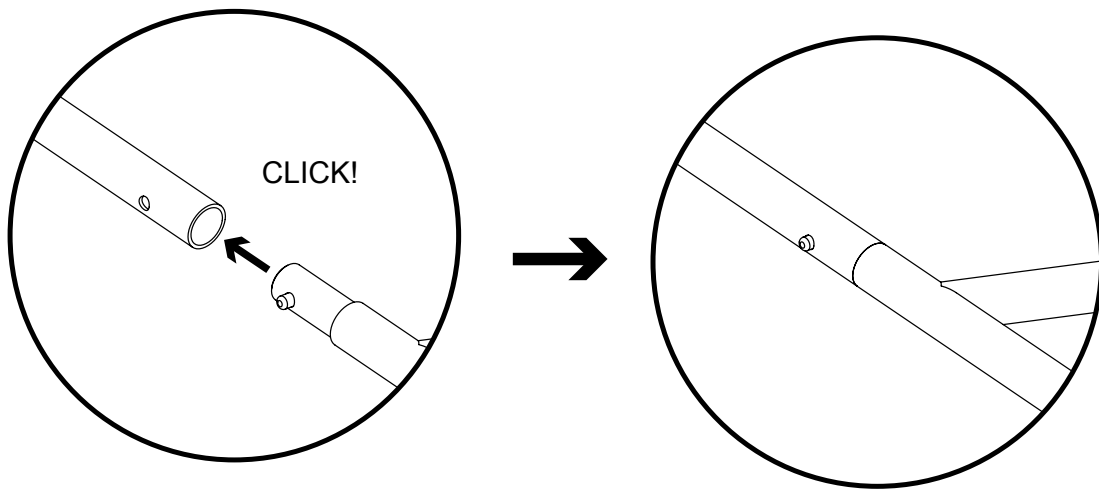
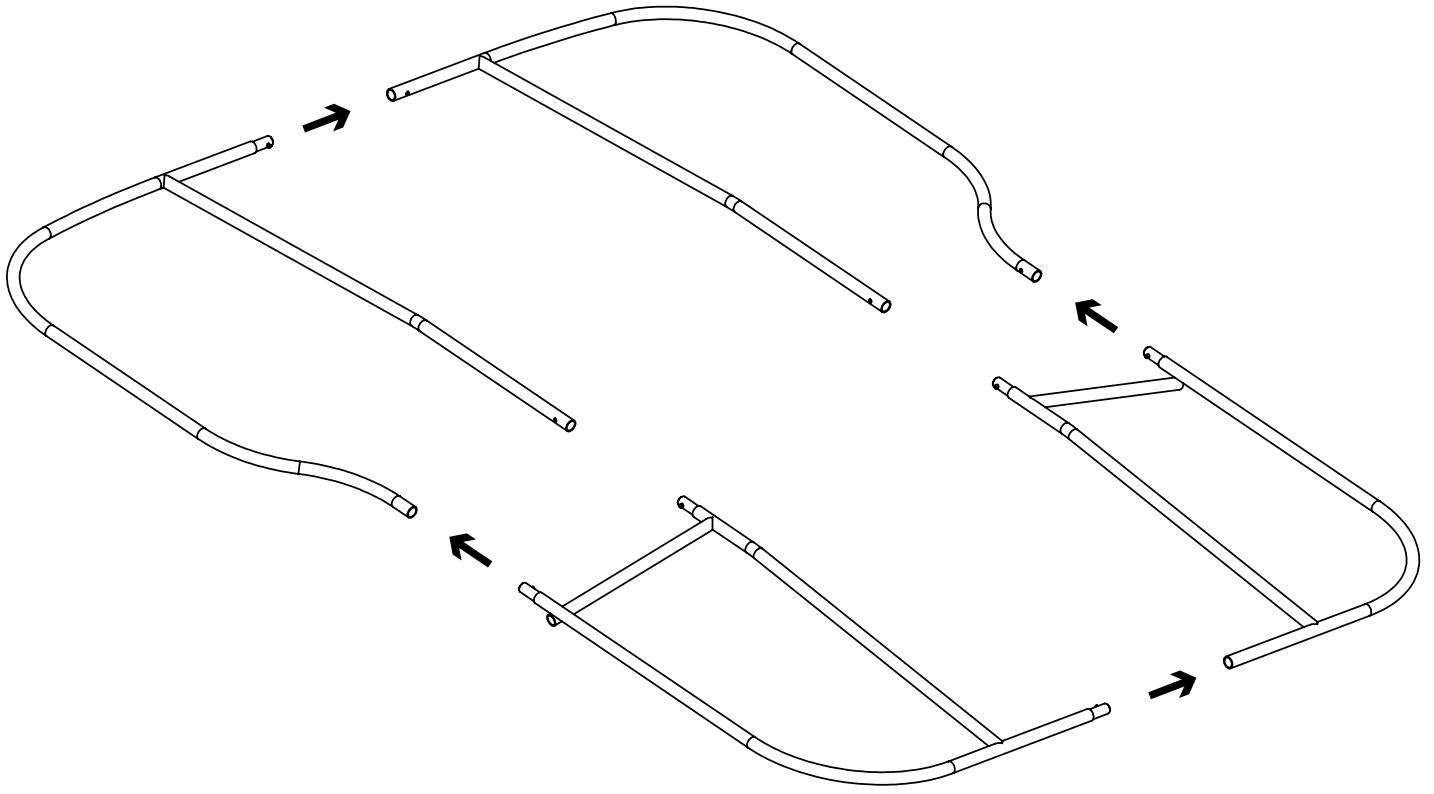
## EXPLODED OVERVIEW



CANVAS NOT SHOWN FOR CLARITY

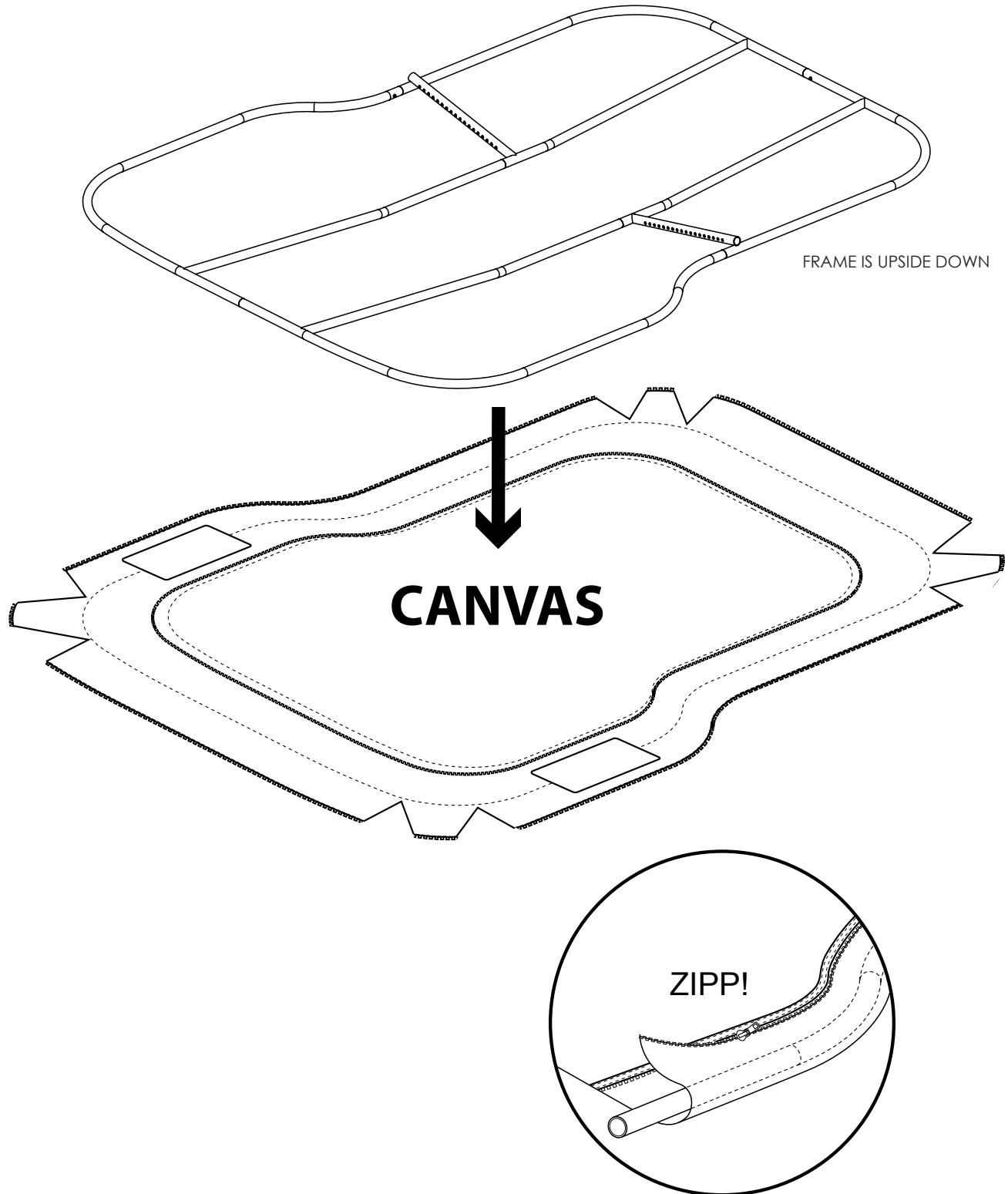


# STEP 1



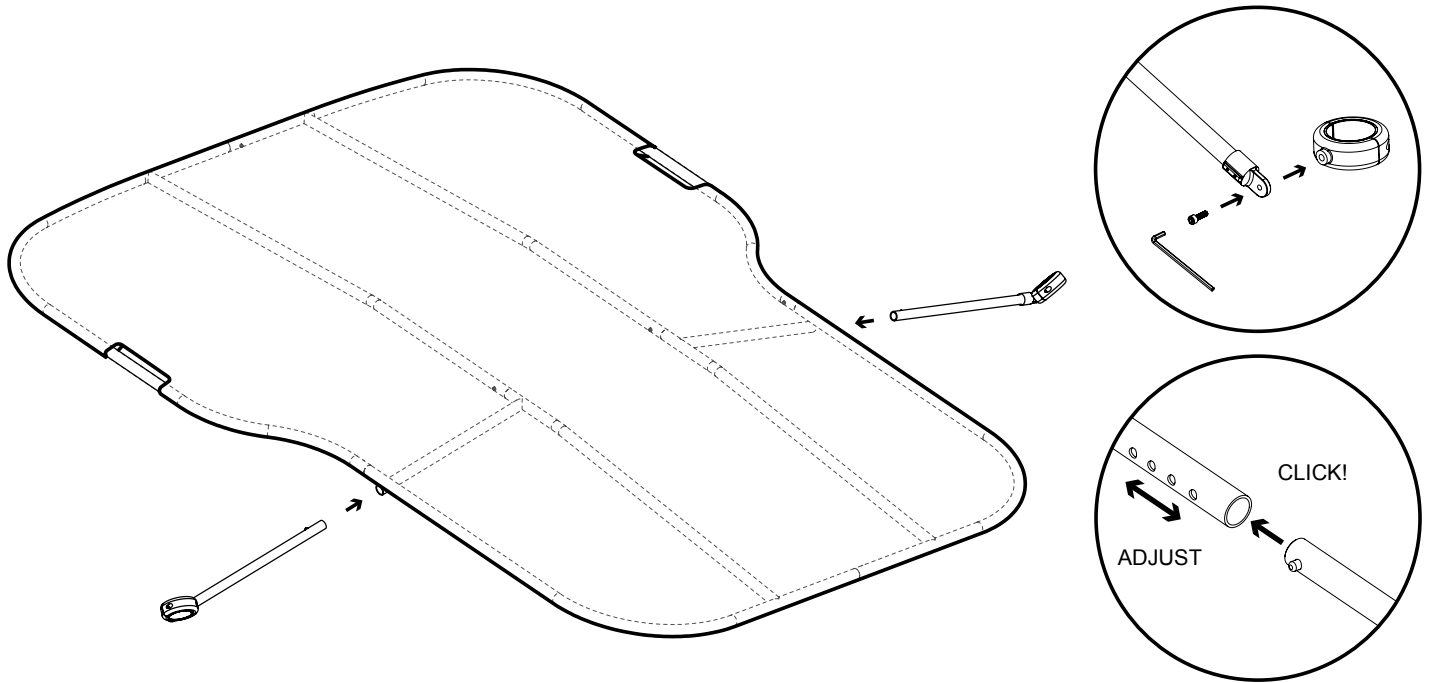


## STEP 2

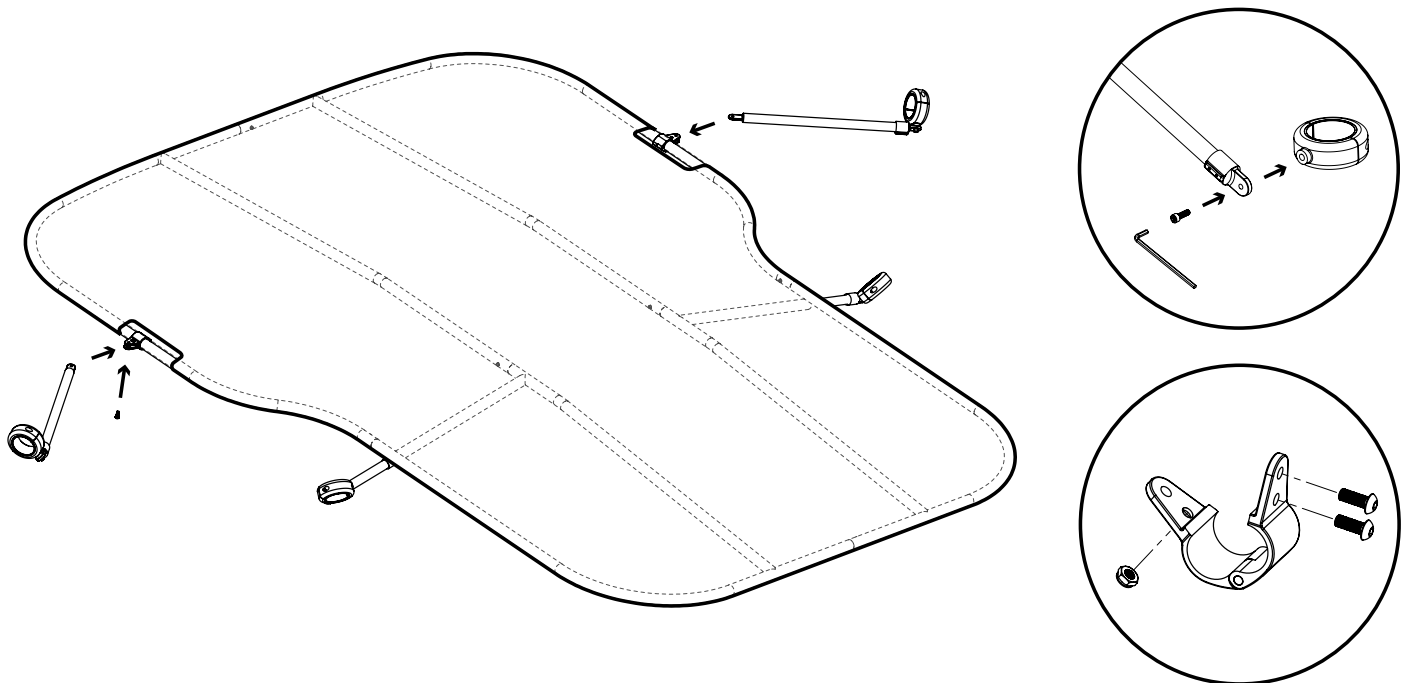




### STEP 3

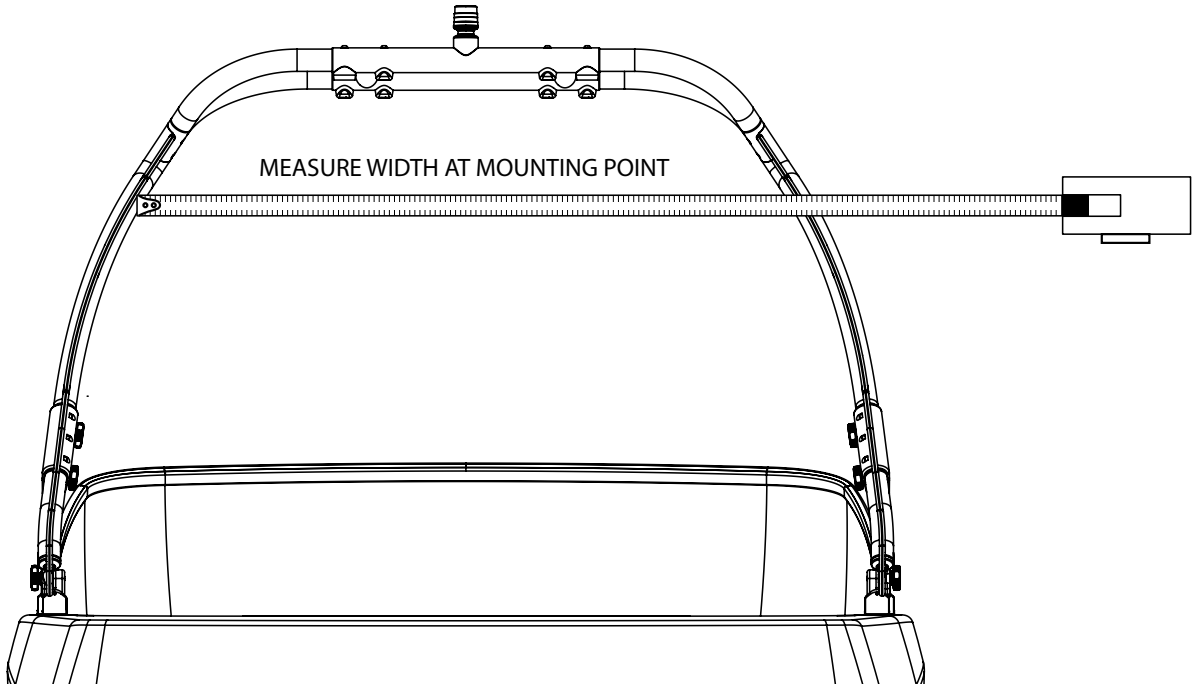


### STEP 4

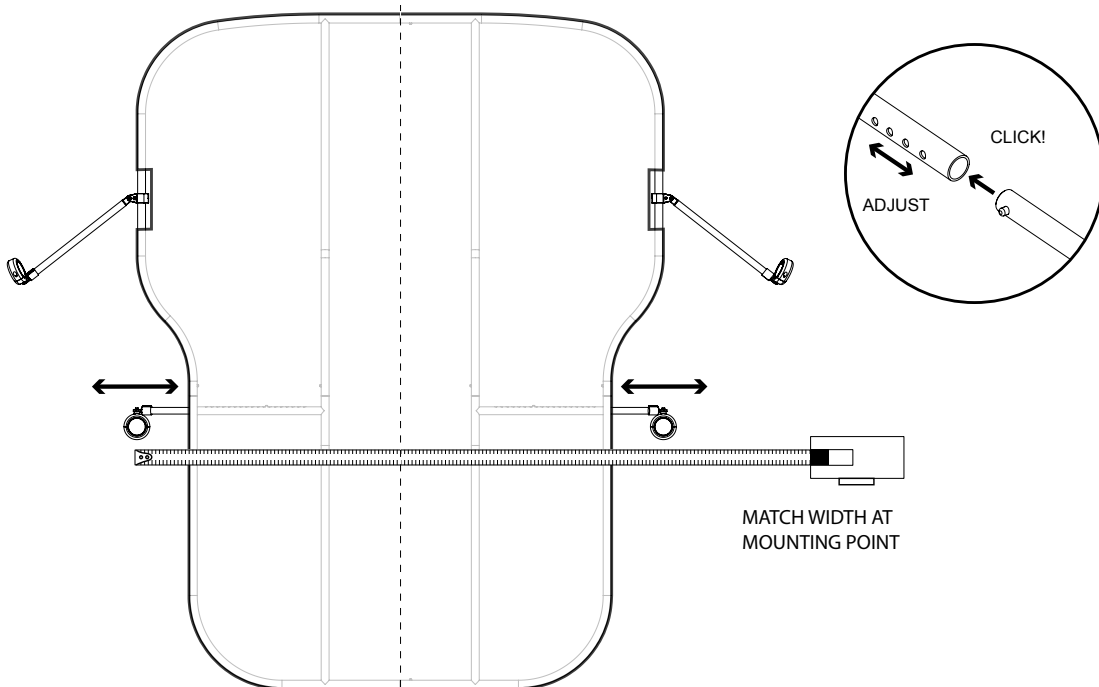




## STEP 5

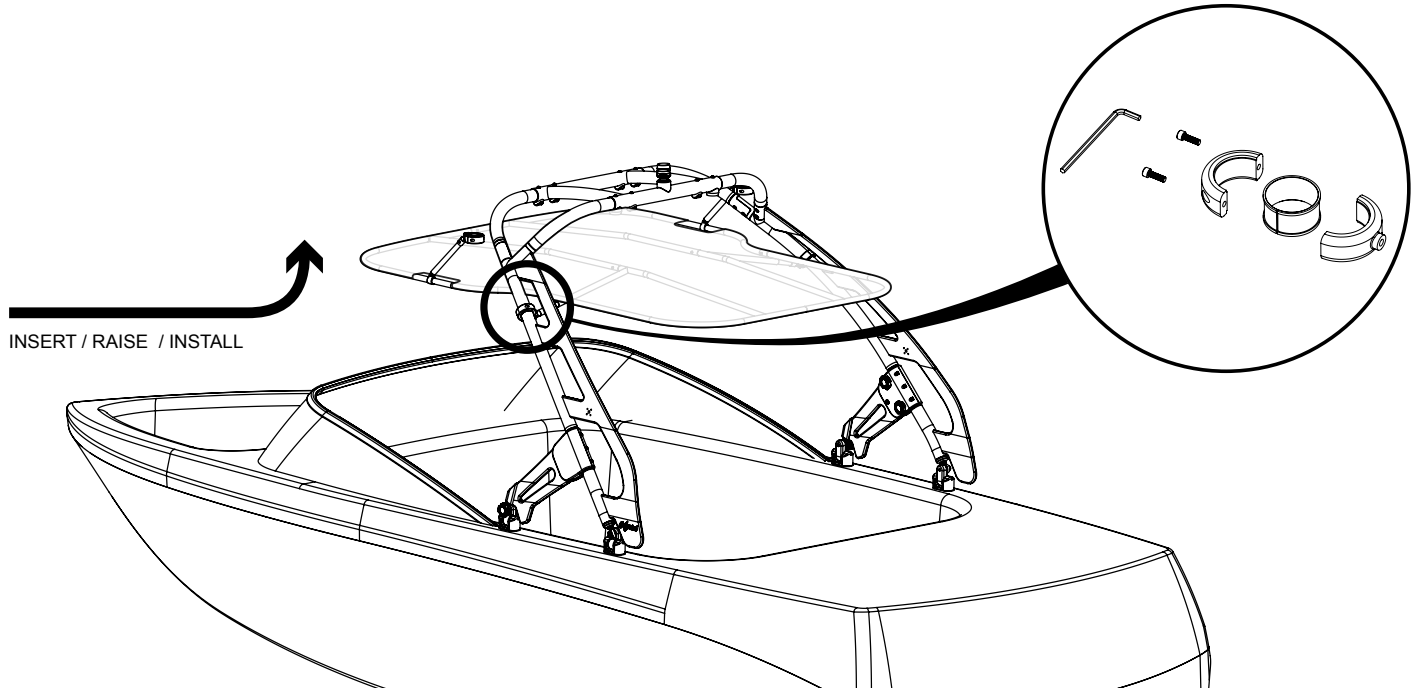


## STEP 6

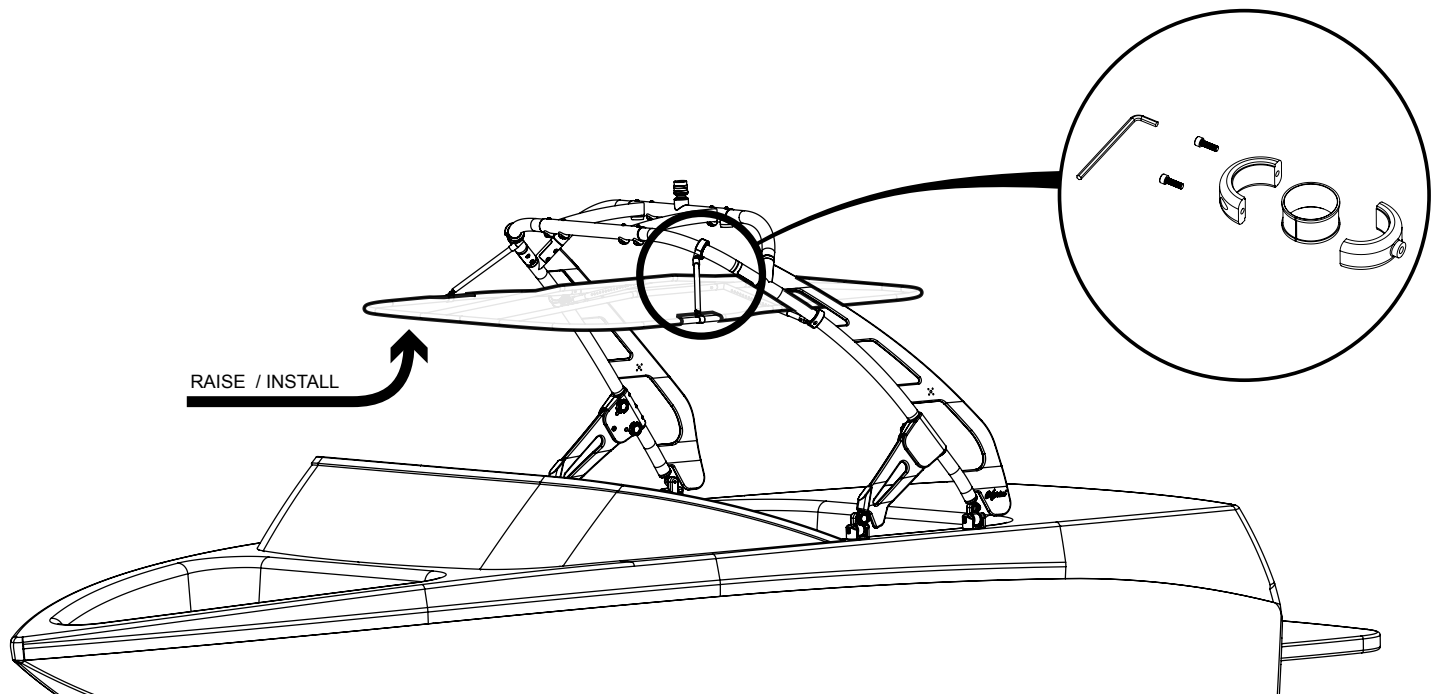




## STEP 7

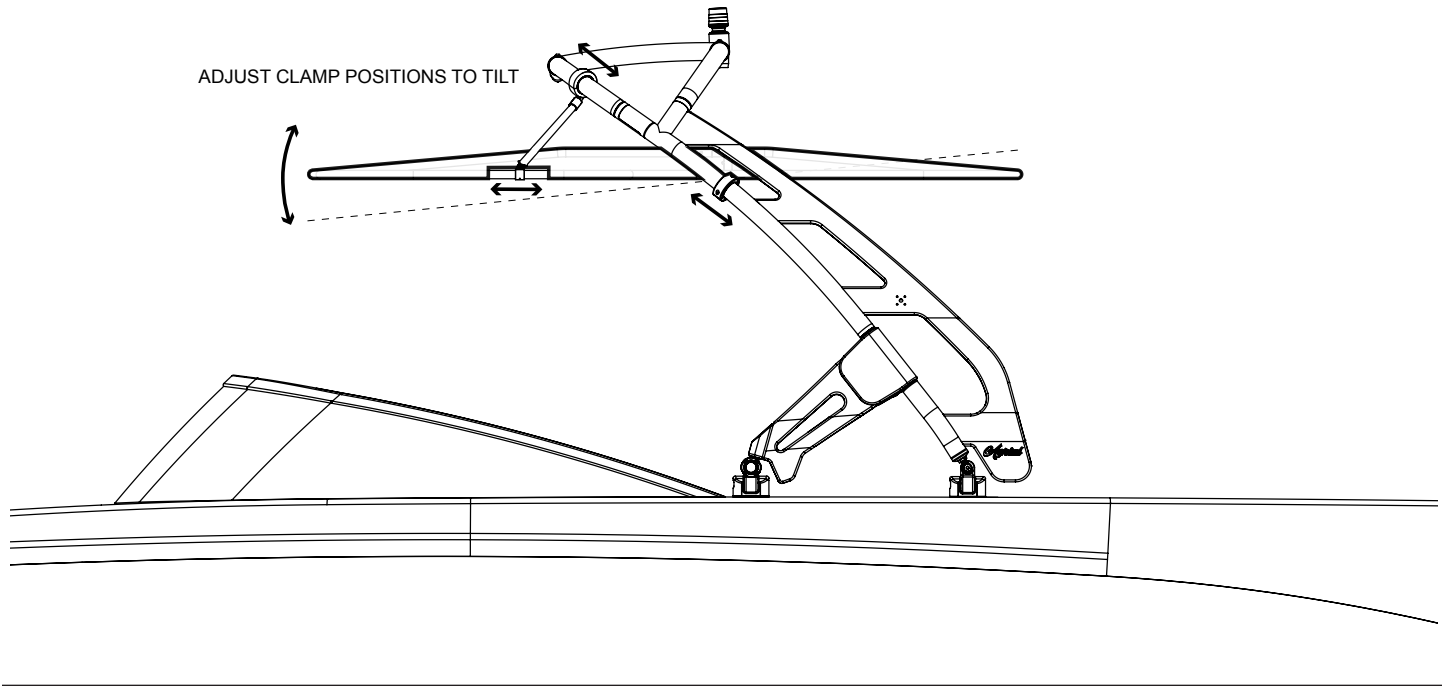


## STEP 8





## STEP 9



[www.aerialwakeboarding.com](http://www.aerialwakeboarding.com)